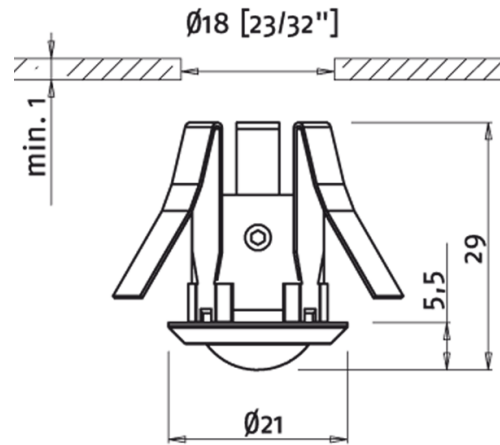


Mini Downlight Medium



Good-looking light from a good-looking downlight. For indoor use including damp locations. Roblon fibre optic technology. Recessed and fixed. Light-reflection in lens creates star effect. Mounting $\varnothing 18$ mm. Beam angle adjustable from 12° to 35° . For room, display, surface, object, area and accent lighting. For ceilings, open areas, showcases, niches and many other applications.

Mini Downlight Medium



Mini Downlight Medium

Optics	$\text{Ø}12$ mm lens
Beam angle	$12^\circ - 35^\circ$
Material	Aluminium
Colour	Black
Surface treatment	Anodised
Size	$\text{Ø}21 \times 5.5$ mm
Weight	15 g
Mounting	Recessed with spring
Mounting hole	$\text{Ø}18$ mm
Built-in height	23.5 mm
Min. tail size	$\text{Ø}1$ mm
Max. tail size	$\text{Ø}6$ mm
Protection rating	IP 44

	Item no.
Mini Downlight Medium black	0310 1231
Mini Downlight Medium gold	0310 1251
Mini Downlight Medium grey	0310 1216
Accessories:	
Fitting Termination	9903 0001