

FL 1100 XT C RGBW



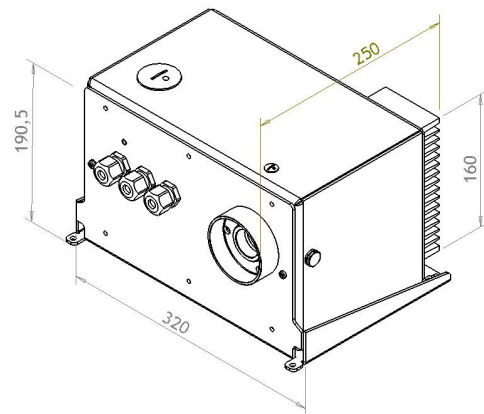
Having a perfectly lit environment requires an outstanding lighting solution. FL 1100 XT RGBW generators can revive your installation whether it is outdoor or indoor.

With more than 16 million colours to choose from the right tone for the scene is only a click away.

This series offers a range of functional and decorative possibilities which can transform your fountains, public art, facades, parks, gardens, swimming pools or starry skies and create eye-striking outdoor areas.

FL 1100 XT C RGBW

- For outdoor use
- For use with fibre optic lighting
- Integrated electronic driver
- DMX controllable standard
- Black finish
- RGBW-LED
- 16 million colours
- Dimmable
- Twinkle option
- Several control conversion options available:
 - DALI, CASAMBI, ZigBee + more.



IP 65

3,3 Kg

FL 1100 XT C RGBW



Light port	Ø9/Ø28 mm
Fibre type	PMMA or glass
Material	Aluminium, polymers and more
Total power consumption	50W
LED power consumption	44W
LED lifetime expected	Min 35.000h
Driver lifetime, expected	>50.000h (@Ta=3% failure level)
Supply voltage (mains)	100-240V 50/60Hz
Dimmer systems applicable	DMX, Casambi (and others optional)
Thermal protection	NTC Sensing
Cooling system	Natural convection, Integrated fan
Ambient temperature	-10° C to 40° C
Applied LED	Nichia
CCT (nominal)	RGBW (4000K)
CRI _s (Ra) typical value	White 93 (min. 90)

Item no.

FL 1100 XT C DMX RGBW	0138 0888
FL 1100 XT C DMC RGBW Twinkle	0138 0388