

FL 1100 XT C DMX RGB



Having a perfect lit indoor environment requires an outstanding lighting solution. FL 1100 XT RGB generators can revive your interior whether it is showcases, niches, sauna lighting or starry sky.

With more than 16 million colours to choose from the right tone for the scene is only a click away.

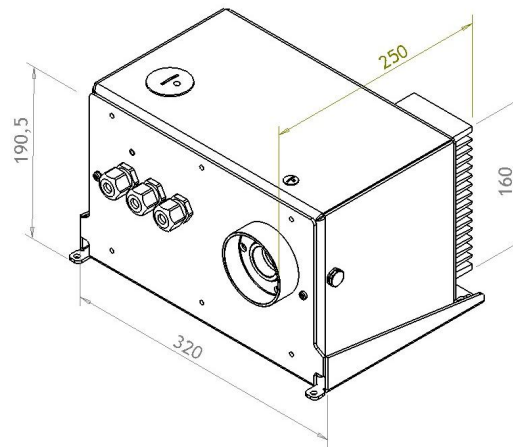
This series offers a range of functional and decorative possibilities which can transform your fountains, public art, facades, parks, gardens, swimming pools and create eye-striking outdoor areas.

FL 1100 XT C DMX RGB

- For outdoor use
- Indoor models available
- For use with fibre optic lighting
- Integrated electronic driver
- DMX controllable
- Black finish
- RGB-LED
- 16 million colours
- Dimmable
- Twinkel model available

IP 65

3,3 Kg



FL 1100 XT C DMX RGB



Light port	Ø9/Ø28 mm
Fibre type	PMMA or glass
Material	Aluminium, plastic and other
Total power consumption	36W
LED power consumption	22W
LED lifetime expected	-
Driver lifetime, expected	>50.000h (@Ta=3% failure level)
Supply voltage (mains)	100-240V 50/60Hz
Dimmer systems applicable	DMX (remote control on request)
Thermal protection	Automatic resettable
Cooling system	Natural convection, Integrated fan
Ambient temperature	-10°C to 40°C
Applied LED	Nichia
CCT (nominal)	N/A
CRI _s (Ra) typical value	N/A

Item no.

FL 1100 XT C DMX RGB	0138 0130
FL 1100 XT C DMC RGB Twinkle	0138 0230