

FL 1300 XT-2 C DMX



Having a remarkable exterior environment requires a superior lighting solution.

The FL 1300 XT-2 is weatherproof and waterproof and created for areas, where flooding can be a risk and the lifetime and conditions will depend on such.

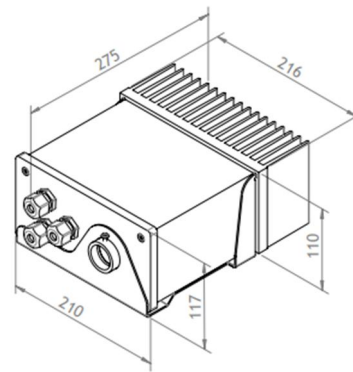
The light generator is developed especially to control colour change via DMX. The light generator can be fitted with up to 30 mtr. of cable ending in remote DMX driver.

FL 1300 XT-2 C DMX

- For outdoor use
- For use with fibre optic lighting
- LED expected lifetime min. 35.000 hours
- DMX controllable
- Black finish
- Light port: 28 mm, sealed
- IP 68 until 10 m water pressure
- Remote driver- up to 30m
- White, tunable white or RGBW available

IP 68

10 m



FL 1300 XT-2 C DMX



Light port	Ø9/Ø28 mm
Fibre type	PMMA or glass
Material	Aluminium, plastic and other
Total power consumption	Up to 95W
LED power consumption	Up to 75W
LED lifetime expected	Min. 35.000h
Driver lifetime, expected	>50.000h (@Ta=3% failure level)
Supply voltage (mains)	100-240V 50/60Hz
Dimmer systems applicable	DMX
Thermal protection	NTC Sensing
Cooling system	Natural convection
Ambient temperature	-10°C to 40°C
Applied LED	Nichia
CCT (nominal)	RGBW, Tunable white
CRI _s (Ra) typical value	White 93 (min. 90)

Item no.

FL 1300 XT-2 C DMX RGBW	0141 0888
FL 1300 XT-2 C DMX Tunable white	0141 0849