

## FL 1300 XT C DMX

---

---



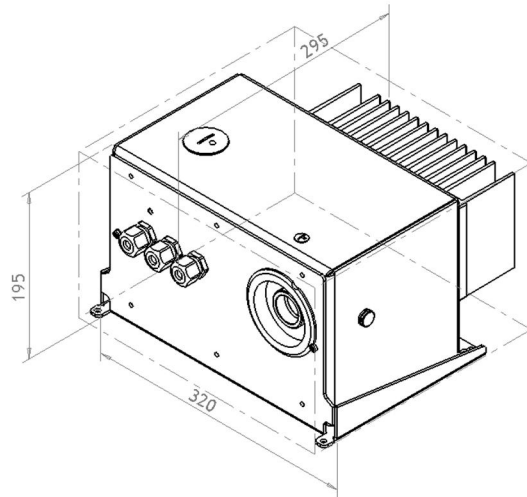
Having a perfect lit outdoor environment requires an outstanding lighting solution. FL 1300 XT C Tunable White and RGBW generators can revive your interior- as well exterior, whether it is showcases, sauna lighting, pools or starry sky.

With massive LED, ranging from 2500K to 5700K, the right white tone for the scene is only a click away.

This series offers a range of functional and decorative possibilities which can transform your fountains, public art, facades, parks, gardens, swimming pools and create eye-striking outdoor areas.

## FL 1300 XT C DMX

- Designed for outdoor use (IP65)
- For use with fibreoptic harness
- Integrated DMX control system and electronic driver
- Other control protocols available on request. DALI, 0-10V Casambi etc.
- Black finish (powder coating)
- White colours ranging from 2500K to 5700K
- Dual or Single controllable wheels (colour and twinkle)
- Special designed optical lens system
- **Option:**
  - *Wireless control system (Casambi)*
  - *Special designed 4-channel tunable white LED (from 1800K to 6500K)*



IP 65

6,0 Kg

## FL 1300 XT C DMX



Light port	Ø28 mm
Fibre type	PMMA or Glass
Material	Aluminium, plastic and other
Total power consumption	85-95W
LED power consumption	75W continuous
LED lifetime expected	>35.000h
Driver lifetime, expected	>50.000h (@Ta=3% failure level)
Supply voltage (mains)	100-240V 50/60Hz
Dimmer systems applicable	DMX (DALI, 1-10V and wireless optional)
Thermal protection	Automatic resettable
Cooling system	Natural convection, Integrated fan
Ambient temperature	-10° C to 40° C
Applied LED ( RGBW, Tunable)	Special design
Applied LED ( Dual model)	Nichia
CCT (nominal for RBGW, Tunable)	2500-5700 and 4000 (RGBW)
CCT (nominal for Dual)	3000K
RGBW: CRI <sub>s</sub> (Ra) typical value	93+ (90+ min)
TW: CRI <sub>s</sub> (Ra) typical value	98+ (95+ min)

	Item no.
FL 1300 XT C DMX RGBW Twinkle	0140 0888
FL 1300 XT C DMX Dual 3000K CRI 90+	0140 0458
FL 1300 XT C DMX Tunable White Twinkle	0140 0849