

## FL 1300 XT B

---



Relight your fountains, public art or gardens with our superior lighting solution for outdoor settings.

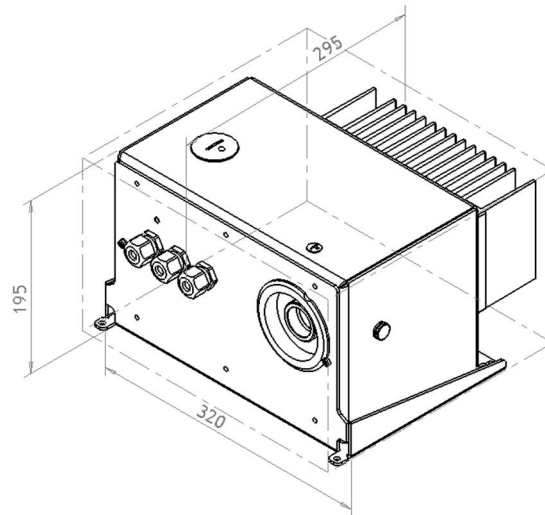
The FL 1300 XT Series cuts energy consumption by at least 63% compared to halogen generators. The range is waterproof and weatherproof plus it boasts a superior LED quality. The projectors are easy to handle and endure a long life.

The generators include warm white light and dimmable options, facilitating various scenarios in your exterior environment.

Create astonishing facades, parks or swimming pools with the FL 1300 XT lighting solution.

## FL 1300 XT B

- For outdoor use
- Indoor models available
- For use with fibre optic lighting
- LED expected lifetime 35.000 hours
- Warm white light 3.000K or neutral white light 4.000K
- Integrated electronic driver
- Dimmable ( on request )
- Black finish
- Light port:  $\varnothing 9/\varnothing 28$  mm



IP 65

6.0 Kg

## FL 1300 XT B



Light port	$\varnothing 9/\varnothing 28$ mm
Fibre type	PMMA or glass
Material	Aluminium, plastic and other
Total power consumption	90W
LED power consumption	70W
LED lifetime expected	>35.000h
Driver lifetime, expected	>50.000h (@Ta=3% failure level)
Supply voltage (mains)	100-240V 50/60Hz
Dimmer systems applicable on request	1-10V, DALI, DMX, PUSH, Casambi
Thermal protection	Automatic resettable
Cooling system	Natural convection
Ambient temperature	-10°C to 40°C
Applied LED	Nichia
CCT (nominal)	3000K
CRI <sub>s</sub> (Ra) typical value	93 (min. 90)

	Item no.
FL 1300 XT B 3000K CRI 90+	0140 0058
FL 1300 XT C DMX Dim LN 3000K CRI 95+	0140 0859
FL 1300 XT C DMX Dim LN 4000K CRI 95+	0140 0869