

## Wheel kit

---

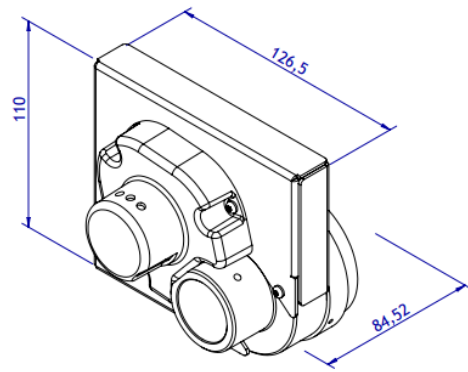


The Wheel Kit can create various spectacular effects, including a sparkling and twinkling effect that generates a dynamic visual experience. It can simulate a starry sky with an adjustable speed range from 0.5 to 2.2 RPM. Upon request, the Twinkle Wheel Kit can be fully or partially combined with colors to produce stunning effects in ceilings and floors. Additionally, it can integrate water feature lighting into side light fibers for optimal impact.

## Wheel kit

- For indoor use / dry locations
- External electronic driver
- Black painted finish
- Adjustable speed
- Light port:  $\varnothing 9/\varnothing 28$  mm

IP 20



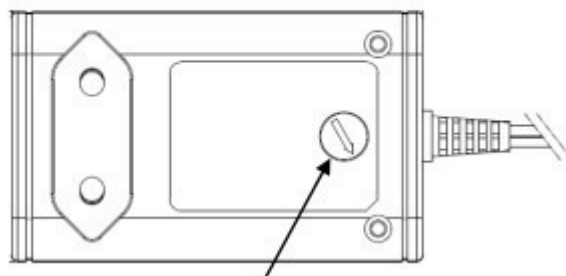
## Wheel kit

F CE RoHS

Connector size	$\varnothing 9/\varnothing 28$
Wheel type	Twinkle wheel / Colour Wheel
Colours and colour order	White (clear)-purple-yellow-green-orange-blue-red-dark blue
Divisions	8
Size	127 x 110 x 85 mm
Colour	Black
Supply voltage	3-12V DC
Total power	3 W
Power supply	100-240 V / 50-60 Hz
Speed	Adjustable from 0.5 to 2.2 RPM
Max. ambient temperature	40 °C
Min. ambient temperature	-20 °C
Protection rating	IP 20
Material	Aluminium, plastic and other
Surface treatment	Anodised

### Adjustable speed

3V	0.5 RPM	+- 10%
4.5V	0.75 RPM	+- 10%
5V	0.85 RPM	+- 10%
6V	1.15 RPM	+- 10%
7.5V	1.4 RPM	+- 10%
9V	1.8 RPM	+- 10%
12V	2.2 RPM	+- 10%



Voltage selector switch

Item no.

Colour Wheel kit - 8 colours	0126 6106
Twinkle Wheel kit	0126 6206

# RobLight

RobLight A/S, Gl. Skagensvej 105 H, DK-9900 Frederikshavn, T: +45 9244 4888, E: info@rob-light.com, www.rob-light.com

RobLight accepts no responsibility for possible errors in catalogues, brochures and other printed material.  
RobLight reserves the right to alter or discontinue its products without notice. © 2019 RobLight A/S