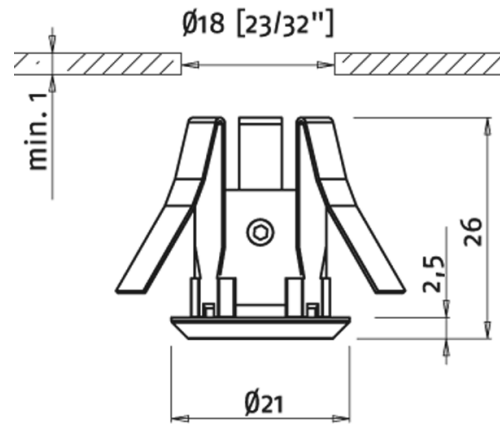


Mini Downlight Wide Glass



Very large light from a very little downlight. For indoor use including damp locations. Roblon fibre optic technology. Recessed and fixed. Clear glass. Mounting \varnothing 18 mm. Beam angle 54° . For room, display, surface, object, area and accent lighting. For ceilings, open areas, showcases, niches and many other applications.

Mini Downlight Wide Glass



IP 44

13 g

Mini Downlight Wide Glass

Optics	Ø12 mm clear glass
Beam angle	54°
Material	Aluminium
Colour	Black
Surface treatment	Anodised
Size	Ø21 x 2.5 mm
Weight	13 g
Mounting	Recessed with spring
Mounting hole	Ø18 mm
Built-in height	23.5 mm
Min. tail size	Ø1 mm
Max. tail size	Ø6 mm
Protection rating	IP 44

	Item no.
Mini Downlight Wide Glass black	0310 1233
Mini Downlight Wide Glass white	0310 1243
Accessories:	
Fitting Termination	9903 0001