

FL 1500 B-2 silent



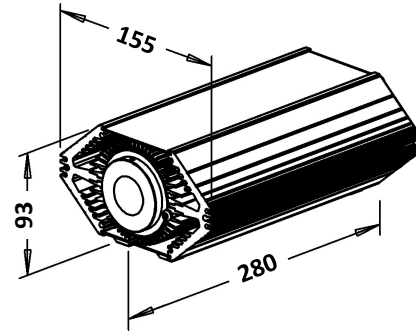
Very High Output Interior LED light generator with the cooling fan.

Roblight's Patented 3-lens system maximises light output delivered into the Fibre Harness. Outperforming 150W Metal Halide generators -- with instant light at switch-on, no lamp changes, smooth dimming and less power consumption.

"Control" versions offer DMX dimming, colour change and twinkle effects. XT models are IP44 rated for wet area installation.

FL 1500 B-2 silent

- Instant-on
- No cool-down time
- For indoor use / dry locations
- Warm white light 3000K and neutral white light 4000K
- Smooth dimming with choice of several dimming options
- Dimmable versions available
- DMX versions available
- Black finish
- High colour rendering
- Easily replaceable dichroic glass colour filters available
- Dichroic CTC filters available
- Wall mounting bracket available (standard for some models)
- Pot models include potmeter
- No more regular lamp changes



PI 20

5.1 kg

FL 1500 B-2 silent



Light port	Ø28 mm
Fibre type	PMMA or glass
Material	Aluminium, plastic and other
Total power consumption	115W
LED power consumption	100W
LED lifetime, expected	35.000h
Driver lifetime, expected	>100.000h (@TC=65 °C)
Supply voltage (mains)	100-240V 50/60Hz
Dimmer systems applicable	DALI, Pot
Thermal protection	Automatic resettable
Cooling system	Axial fan
Cooling system lifetime, expected (@40 °C)	>40.000h
Noise level (fan)	17dB
Ambient temperature	-10 °C to 45 °C
Applied LED	Nichia
CCT (nominal)	3000K / 4000K
CRI _s (Ra) typical value	92 (min. 90)

	Item no.
FL 1500 B-2 silent 3000K CRI 90+	0130 1058
FL 1500 B-2 silent 4000K CRI 90+	0130 1068
Accessories :	
Mounting kit FL 1500 B-2	0130 9000
DMX module for FL 1500 B-2	0130 0800