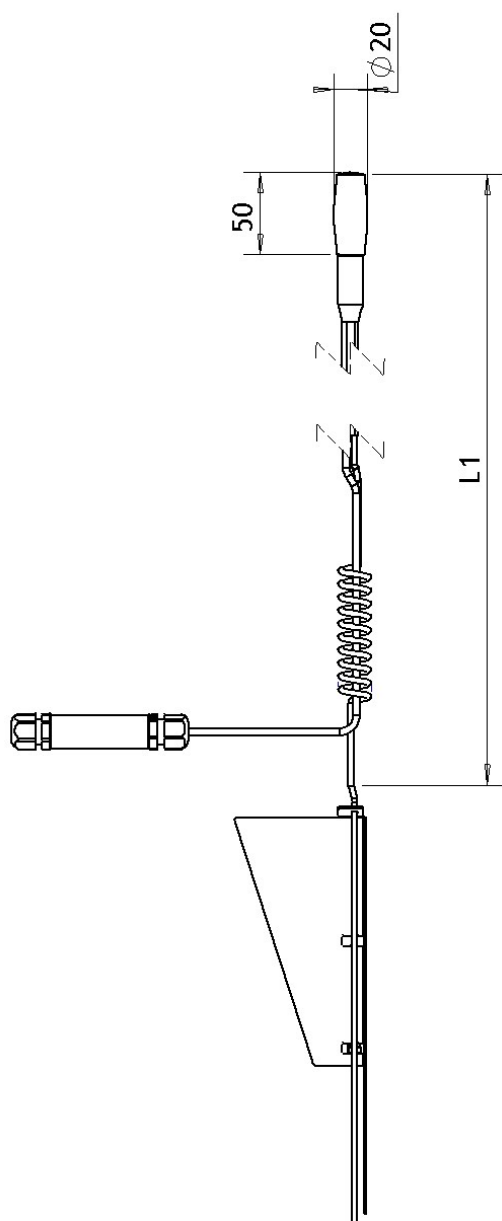


## Swaying Reed

Steel rod



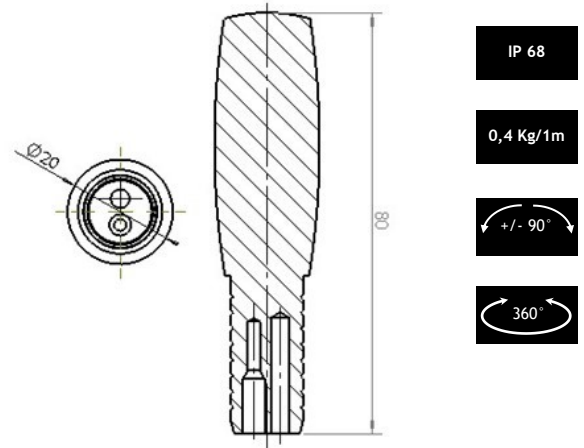
A very esthetic light fixture to give a beautiful light scheme in both indoor but mainly outdoor environments, where the wind will catch the reed and make it sway in the breeze.

The metal spring structure makes the reed resistable and flexible for strong winds and useful in public spaces and open areas where it can be enjoyed in parks, ponds, gardens, open spaces as well as hotel gardens, spas, malls, city centers, etc.

The reeds come with a very solid mounting bracket and connection to fibre harness. The harness must be specified separately due to decisions on lengths. The design and dimension of this standard range can be modified for a custom product request.

## Swaying Reed

- For outdoor and indoor use
- Black/clear
- Height customised on request (Max 1.25 m)
- Developed for outdoor environment
- Fibre optical system
- diff. Top versions on request



## Swaying Reed

Material	Steel, plastic and other
Size W	Ø20 x 1000mm
Colour	Black/Clear (others on req.)
Light point	Ø2.0 mm
Terminat cornnection	Ø6mm
Max bending angle	±90°
Cleaning	Dry cloth or air

	Item no.
Swaying Reed - 1.0 meter Ø2.0 mm PMMA	0313 0470
Swaying Reed - 1.25 meter Ø2.0 mm PMMA	0313 0472
Swaying Reed - 0.5 meter Ø2.0 mm PMMA	0313 0475
Swaying Reed - 0.75 meter Ø2.0 mm PMMA	0313 0477
Accessories	
Ground spike for swaying reed	0313 0469