

# PRODUCT DATA SHEET

## FL 1050 B-2

# RobLight

99102127  
10-10-2025  
Rev. 2

### PRODUCT INFO

Model	Item No.
3000K CRI90+	<a href="#">01320018</a>
4000K CRI90+	<a href="#">01320028</a>
3000K CRI98	<a href="#">01321719</a>
Tunable White DALI	<a href="#">01320649</a>
<b>Accessory</b>	
Twinkle Wheel Kit	<a href="#">01266206</a>
Colour Wheel Kit	<a href="#">01266106</a>
Dimmer Kit 0/1-10V	<a href="#">01265101</a>
Pot. Dimmer 0/1-10V	<a href="#">01265110</a>



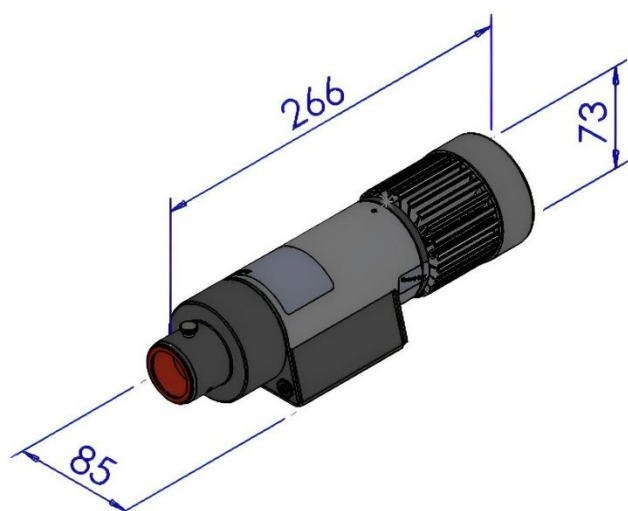
### Premium Light Generator Delivering Ultra-High CRI and Superior Performance for Professional Indoor and Fiber Optic Applications

The FL 1050 B-2 Series is a premium light generator engineered for indoor and dry-location environments. With its ultra-high Colour Rendering Index (CRI) and exceptional lumen output, it delivers superior light quality ideal for museums, galleries, and other applications requiring precise colour accuracy.

Designed for compatibility with PMMA and glass fiber optic systems, the FL 1050 B-2 provides flicker-free performance, smooth dimming, and stable illumination. It supports multiple control interfaces, including 0/1-10 V, PWM, DMX, DALI/DALI-2, D4i, Casambi, Zigbee, and Potentiometer, offering enhanced flexibility and seamless integration with modern lighting control systems.

Available in Warm, Neutral, Cool White, and Tunable White, the FL 1050 B-2 can also be custom-configured to meet specific project needs. Optional colour wheel and twinkle wheel kits can be added to create dynamic or decorative lighting effects, providing additional visual impact and versatility. With its wall-mounted design and energy-efficient performance, it is the perfect solution for demanding professional and architectural lighting applications.

## KEY FEATURES



- Designed for indoor environments and dry locations
- Compatible with PMMA and glass fiber optic lighting
- High performance with a high lumen output
- Smooth dimming with multiple dimming options available
- Flicker-free operation with an Ultra-High Colour Rendering Index (CRI)
- Wall-mounted installation
- External LED Driver
- Available in Warm, Neutral, Cool White, Tunable White, and custom options
- Available Glass Colour Correction Filters
- Supports optional colour/twinkle wheel kits



## TECHNICAL SPECIFICATION

Specification	FL 1050 B-2	FL 1050 B-2M	FL 1050 B-2 TW
Port Connector Size	Ø30 mm standard port (Up to Ø18 mm fibre core diameter) <sup>(1)</sup>		
Fibre Type	PMMA / Glass		
Material	Black Hard Anodized Aluminium		
Mains Supply Voltage	110-240V / 50-60Hz		
Total Power Consumption	42 W		
LED Power Consumption	36 W	39 W	38 W
LED Lifetime	> 60,000 hours (L80)	> 66,000 hours (L80)	≥ 50,000 hours (L70)
LED Driver Lifetime	≥ 50,000 hours		
Control System	0/1-10V, DALI/DALI-2, PWM, PUSH (Casambi, DMX, Zigbee, D4i and Pot. available upon request)		DALI/DALI-2 (Casambi, DMX, 0/1-10V and Pot. upon request)
Thermal Protection	Automatic resettable <sup>(2)</sup>		NTC Thermistor <sup>(3)</sup>
Protection Rating	IP20		
Cooling System	Active Fan Cooling		
Cooling system lifetime	70,000 hours at 40°C		
Fan Noise Level	≤ 10 dB		
Ambient Temperature	-10°C to 45°C		
Applied LED	Cree		Special Design
CCT (Nominal)	3000K/4000K	3000K	2500K-5700K
CRI (Ra) Typical Value	92	98	≥ 95
Weight	1.1 kg		

1) The connector size has an inner diameter of 28 mm to accommodate the raw fibre and an overall outer diameter of 30 mm.

2) Shuts off during overheating and automatically restarts once cooled to a safe temperature.

3) An NTC thermistor on the LED COB reduces the output by 75% if temperatures exceed the threshold, resetting automatically once safe levels are reached.

### CONTACT US

Phone: +45 9244 4888

Email: [info@rob-light.com](mailto:info@rob-light.com)

### OUR OFFICE

RobLight ApS

Gl. Skagensvej 105 M

DK-9900 Frederikshavn

### STAY CONNECTED

Website: [www.rob-light.com](http://www.rob-light.com)

LinkedIn: [RobLight ApS](https://www.linkedin.com/company/rob-light)

# RobLight

RobLight disclaims any responsibility for potential errors in catalogues, brochures, and other printed materials. RobLight reserve the right to modify or discontinue our products without prior notice. © 2019 RobLight