

# PRODUCT DATA SHEET

## FL 1500 F

# RobLight

99102158  
03-02-2025  
Rev. 2

### PRODUCT INFO

Model	Item No.
3000K Colour	<a href="#">01300158</a>
4000K Colour	<a href="#">01300168</a>
3000K Twinkle	<a href="#">01300258</a>
4000K Twinkle	<a href="#">01300268</a>
<b>Accessory</b>	
Mounting Kit	<a href="#">01369001</a>

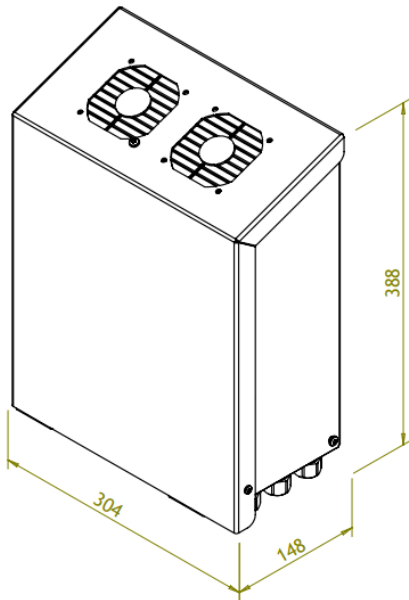


### High-Power Performance Light Generator with Advanced Colour & Twinkle Wheel Effects for Fiber Optic Lighting

The FL 1500 F series is a premium light generator engineered for indoor environments and dry locations. Its enhanced high-lumen output offers exceptional performance. Designed for compatibility with PMMA and glass fiber optic lighting, it provides precise and reliable illumination for a wide range of applications. The FL 1500 F offers smooth dimming functionality with a range of control options available, including 0/1-10V, PWM, DMX, DALI/DALI-2, D4i, Casambi, and Potentiometer, ensuring enhanced flexibility and seamless control.

This advanced light generator ensures flicker-free performance and a high Color Rendering Index (CRI), providing superior light quality and stability for optimal visual comfort. It is available in various colour temperatures, including Warm, Neutral, and Cool White, with custom options available, to meet diverse lighting needs. The FL 1500 F offers a 6-colour wheel or twinkle wheel, enabling dynamic and customizable lighting effects for creative interior applications.

With an optional wall-mounted installation kit, the FL 1500 F Series offers a versatile and energy-efficient solution for demanding lighting projects, making it the perfect choice for professional environments.



## KEY FEATURES

- Designed for indoor environments and dry locations
- Compatible with PMMA and glass fiber optic lighting
- High performance with an enhanced high-lumen output
- Equipped with a 6-color wheel or a twinkle wheel, offering versatile lighting options for various interior settings.
- Smooth dimming with multiple dimming options available
- Flicker-free operation with a High Colour Rendering Index (CRI)
- Wall-mounted installation kit available
- Available in Warm, Neutral, Cool White, and custom options
- Available Glass Colour Correction Filters



## TECHNICAL SPECIFICATION

Specification	White
Port Connector Size	Ø28 mm <sup>(1)</sup>
Fibre Type	PMMA / Glass
Material	Black Hard Anodized Aluminium
Mains Supply Voltage	220-240V / 50-60Hz
Total Power Consumption	115 W
LED Power Consumption	100 W
LED Lifetime (L80)	> 60,000 hours
LED Driver Lifetime	> 100,000 hours (at 80% load and Tc 70°C)
Dimmer System	(0/1-10V, DMX, DALI/DALI-2, D4i, PWM, Pot., and Casambi available upon request)
Thermal Protection	Automatic resettable <sup>(2)</sup>
Protection Rating	IP20
Cooling System	Active Fan Cooling
Cooling system lifetime	70,000 hours at 40°C
Fan Noise Level	≤ 33 dB
Ambient Temperature	-10°C to 45°C
Applied LED	Nichia
CCT (Nominal)	2700K, 3000K, 4000K, 5000K (Additional options available upon request)
CRI (Ra) Typical Value	≥ 93 for 2700K, 3000K, 4000K ≥ 83 for 5000K
Weight	7.6 kg

1) The connector size has an inner diameter of 28 mm to accommodate the raw fiber and an overall outer diameter of 30 mm.

2) Shuts off during overheating and automatically restarts once cooled to a safe temperature.

### CONTACT US

Phone: +45 9244 4888

Email: [info@rob-light.com](mailto:info@rob-light.com)

### OUR OFFICE

RobLight A/S

Gl. Skagensvej 105 H

DK-9900 Frederikshavn

### STAY CONNECTED

Website: [www.rob-light.com](http://www.rob-light.com)

LinkedIn: [RobLight A/S](https://www.linkedin.com/company/rob-light)

# RobLight

RobLight disclaims any responsibility for potential errors in catalogues, brochures, and other printed materials. RobLight reserve the right to modify or discontinue our products without prior notice. © 2019 RobLight A/S