

PRODUCT DATA SHEET

FL 1500 C DMX Dim

RobLight

99102193
05-02-2025
Rev. 2

PRODUCT INFO

Model	Item No.
3000K DMX	01300858
3000K DMX	01300868
Accessory	
DMX Controller	01600302
Casambi Controller	80000031

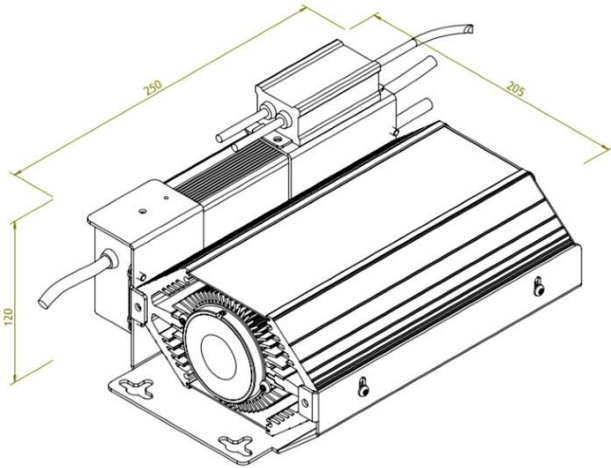


High-Power Performance Light Generator with High Lumen Output for Indoor and Fiber Optic Applications

The FL 1500 C DMX Dim series is a premium, high-power performance light generator engineered for indoor environments and dry locations. Its high-lumen output offers exceptional performance. Designed for compatibility with PMMA and glass fiber optic lighting, it provides precise and reliable illumination for a wide range of applications. The FL 1500 C DMX Dim offers smooth dimming functionality with DMX, ensuring enhanced flexibility and seamless control.

This advanced light generator ensures flicker-free performance and a high Colour Rendering Index (CRI), providing superior light quality and stability for optimal visual comfort. It is available in various colour temperatures, including Warm, Neutral, and Cool White, with custom configurations available upon request to accommodate specific project requirements.

With an optional wall-mounted installation kit, the FL 1500 C DMX Dim Series offers a versatile and energy-efficient solution for demanding lighting projects, making it the perfect choice for professional environments.



KEY FEATURES

- Designed for indoor environments and dry locations
- Compatible with PMMA and glass fiber optic lighting
- High performance with an enhanced high-lumen output
- Smooth dimming capability with DMX control
- Flicker-free operation with a High Colour Rendering Index (CRI)
- Wall-mounted installation
- Available in Warm, Neutral, Cool White, and custom options
- Available Glass Colour Correction Filters



TECHNICAL SPECIFICATION

Specification	White
Connector Size	Ø28 mm ⁽¹⁾
Fibre Type	PMMA / Glass
Material	Black Hard Anodized Aluminium
Mains Supply Voltage	100-240V / 50-60Hz
Total Power Consumption	110 W
LED Power Consumption	100 W
LED Lifetime (L80)	> 60,000 hours
LED Driver Lifetime	> 100,000 hours (at 80% load and Tc 70°C)
Dimmer System	DMX (Casambi available upon request)
Thermal Protection	Automatic resettable ⁽²⁾
Protection Rating	IP20
Cooling System	Active Fan Cooling
Cooling system lifetime	70,000 hours at 40°C
Fan Noise Level	≤ 30 dB
Ambient Temperature	-10°C to 45°C
Applied LED	Nichia
CCT (Nominal)	2700K, 3000K, 4000K, 5000K (Additional options available upon request)
CRI (Ra) Typical Value	≥ 93 for 2700K, 3000K, 4000K ≥ 83 for 5000K
Weight	5.5 kg

1) The connector size has an inner diameter of 28 mm to accommodate the raw fiber and an overall outer diameter of 30 mm.

2) Shuts off during overheating and automatically restarts once cooled to a safe temperature.

CONTACT US

Phone: +45 9244 4888

Email: info@rob-light.com

OUR OFFICE

RobLight A/S

Gl. Skagensvej 105 H

DK-9900 Frederikshavn

STAY CONNECTED

Website: www.rob-light.com

LinkedIn: [RobLight A/S](https://www.linkedin.com/company/rob-light)

RobLight

RobLight disclaims any responsibility for potential errors in catalogues, brochures, and other printed materials. RobLight reserve the right to modify or discontinue our products without prior notice. © 2019 RobLight A/S