

PRODUCT INFO

Model	Item No.
3000K	01340058
4000K	01340068
5000K	01340077
3000K DALI	01340658
4000K DALI	01340668
3000K Pot.	01340758
4000K Pot.	01340768
5000K Pot.	01340777
Accessory	
Mounting Kit	01309000
DMX Dimmer	01300800
Casambi Dimmer	01300810
Pot. Dimmer	01265101

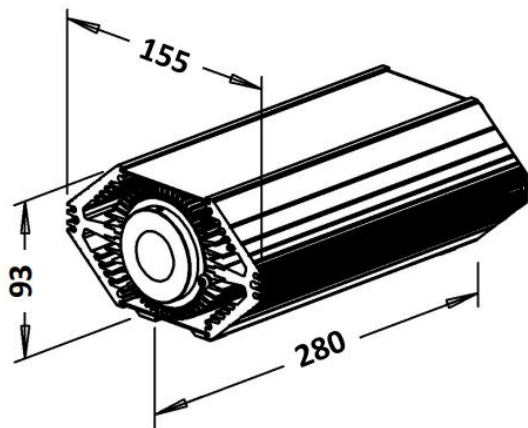


Exceptionally Powerful Light Generator with Ultra-High Lumen Output for Indoor and Fiber Optic Applications

The FL 1750 B-2 series is a premium, exceptionally powerful light generator engineered for indoor environments and dry locations. Its ultra-high lumen output offers exceptional performance. Designed for compatibility with PMMA and glass fiber optic lighting, it provides precise and reliable illumination for a wide range of applications. The FL 1750 B-2 offers smooth dimming functionality with a range of control options, including 0/1-10V, PWM, DMX, DALI/DALI-2, D4i, Casambi, and Potentiometer, ensuring enhanced flexibility and seamless control.

This advanced light generator ensures flicker-free performance and a high Colour Rendering Index (CRI), providing superior light quality and stability for optimal visual comfort. It is available in various colour temperatures, including Warm, Neutral, Cool White, with custom configurations available upon request to accommodate specific project requirements.

With an optional wall-mounted installation kit, the FL 1750 B-2 Series offers a versatile and energy-efficient solution for demanding lighting projects, making it the perfect choice for professional environments.



KEY FEATURES

- Designed for indoor environments and dry locations
- Compatible with PMMA and glass fiber optic lighting
- High performance with an ultra-high lumen output
- Smooth dimming with multiple dimming options available
- Flicker-free operation with a High Color Rendering Index (CRI)
- Wall-mounted installation kit available
- External LED Driver
- Available in Warm, Neutral, Cool White, and custom options
- Available Glass Colour Correction Filters



TECHNICAL SPECIFICATION

Specification	White
Connector Size	Ø28 mm ⁽¹⁾
Fibre Type	PMMA / Glass
Material	Black Hard Anodized Aluminium
Mains Supply Voltage	100-277V / 50-60Hz
Total Power Consumption	145 W
LED Power Consumption	138 W
LED Lifetime (L80)	> 60,000 hours
LED Driver Lifetime	> 100,000 hours (at 80% load and Tc 70°C)
Dimmer System	0/1-10V (DMX, DALI/DALI-2, D4i, PWM, Pot., and Casambi available upon request)
Thermal Protection	Automatic resettable ⁽²⁾
Protection Rating	IP20 (External LED Driver rated IP66 / IP67)
Cooling System	Active Fan Cooling
Cooling system lifetime	70,000 hours at 40°C
Fan Noise Level	≤ 30 dB
Ambient Temperature	-10°C to 30°C
Applied LED	Nichia
CCT (Nominal)	2700K, 3000K, 4000K, 5000K (Additional options available upon request)
CRI (Ra) Typical Value	≥ 93 for 2700K, 3000K, 4000K ≥ 83 for 5000K
Weight	5.5 kg

1) The connector size has an inner diameter of 28 mm to accommodate the raw fiber and an overall outer diameter of 30 mm.

2) Shuts off during overheating and automatically restarts once cooled to a safe temperature.

CONTACT US

Phone: +45 9244 4888

Email: info@rob-light.com

OUR OFFICE

RobLight A/S

Gl. Skagensvej 105 H

DK-9900 Frederikshavn

STAY CONNECTED

Website: www.rob-light.com

LinkedIn: [RobLight A/S](https://www.linkedin.com/company/rob-light)

RobLight