

PRODUCT DATA SHEET

FL 1500 XT

RobLight

99102148
04-02-2025
Rev. 2

PRODUCT INFO

Model	Item No.
3000K	01310058
4000K	01310068
3000K DALI	01310658
4000K DALI	01310668
3000K F Colour	01310158
4000K F Colour	01310168
3000K F Twinkle	01310258
4000K F Twinkle	01310268
3000K DMX Dim	01310858
4000K DMX Dim	01310868
3000K DMX Dual	01310458
4000K DMX Dual	01310468
3000K DMX Colour	01310358
4000K DMX Colour	01310368
3000K DMX Twinkle	01311358
4000K DMX Twinkle	01311368
Accessory	
DMX Controller	01600302
Casambi Controller	80000031

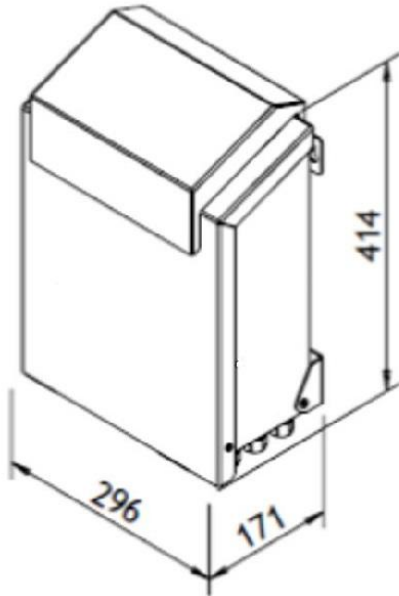


High-Power Light Generator with Advanced Colour & Twinkle Wheel Effects for Fiber Optic Lighting

The FL 1500 XT series is a premium high-power light generator engineered for outdoor environments. Its enhanced high-lumen output offers exceptional performance. Designed for compatibility with PMMA and glass fiber optic lighting, it provides precise and reliable illumination for a wide range of applications. The FL 1500 XT offers smooth dimming functionality with a range of control options, including 0/1-10V, PWM, DMX, DALI/DALI-2, D4i, Casambi, and Potentiometer, ensuring enhanced flexibility and seamless control.

This advanced light generator ensures flicker-free performance and a high Colour Rendering Index (CRI), providing superior light quality and stability for optimal visual comfort. It is available in various colour temperatures, including Warm, Neutral, Cool White, Tunable White, and RGBW, with custom configurations available upon request to accommodate specific project requirements. The FL 1300 XT offers options with a controllable 6-color and/or twinkle wheel, delivering dynamic and customizable lighting effects for creative interior applications.

With a wall-mounted installation, the FL 1500 XT Series offers a versatile and energy-efficient solution for demanding lighting projects, making it the perfect choice for professional environments.



KEY FEATURES

- Designed for outdoor applications
- Compatible with PMMA and glass fiber optic lighting
- High performance with an enhanced high-lumen output
- Offers a controllable 6-color wheel and/or twinkle wheel, delivering dynamic and customizable lighting effects
- Smooth dimming with multiple dimming options available
- Flicker-free operation with a High Colour Rendering Index (CRI)
- Wall-mounted installation
- Available Glass Colour Correction Filters
- Available in options including Warm, Neutral, Cool White, Tunable White, and RGBW



TECHNICAL SPECIFICATION

Specification	White
Port Connector Size	Ø28 mm ⁽¹⁾
Fibre Type	PMMA / Glass
Material	Black Hard Anodized Aluminium
Mains Supply Voltage	100-240V / 50-60Hz
Total Power Consumption	115 W
LED Power Consumption	100 W
LED Lifetime (L80)	> 60,000 hours
LED Driver Lifetime	> 100,000 hours (at 80% load and Tc 70°C)
Dimmer System	(0/1-10V, DMX, DALI/DALI-2, D4i, PWM, Pot., and Casambi available)
Thermal Protection	Automatic resettable ⁽²⁾
Protection Rating	IP45
Cooling System	Active Fan Cooling
Cooling system lifetime	70,000 hours at 40°C
Fan Noise Level	≤ 33 dB
Ambient Temperature	-10°C to 45°C
Applied LED	Nichia
CCT (Nominal)	2700K, 3000K, 4000K, 5000K (Additional options available upon request)
CRI (Ra) Typical Value	≥ 93 for 2700K, 3000K, 4000K ≥ 83 for 5000K
Weight	8.6 kg

1) The port connector has an inner diameter of 28 mm to accommodate the raw fibre and an overall outer diameter of 30 mm.

2) Shuts off during overheating and automatically restarts once cooled to a safe temperature.

CONTACT US

Phone: +45 9244 4888

Email: info@rob-light.com

OUR OFFICE

RobLight A/S

Gl. Skagensvej 105 H

DK-9900 Frederikshavn

STAY CONNECTED

Website: www.rob-light.com

LinkedIn: [RobLight A/S](https://www.linkedin.com/company/rob-light)

RobLight

RobLight disclaims any responsibility for potential errors in catalogues, brochures, and other printed materials. RobLight reserve the right to modify or discontinue our products without prior notice. © 2019 RobLight A/S