

PRODUCT DATA SHEET

FL 1300 XT

RobLight

99102185
10-02-2025
Rev. 2

PRODUCT INFO

Model	Item No.
3000K	01400058
4000K	01400068
3000K DMX Dim	01400858
4000K DMX Dim	01400868
3000K DMX Dual	01400458
Tunable White DMX	01400849
RGBW DMX	01400388
Accessory	
DMX Controller	01600302
Casambi Controller	80000031

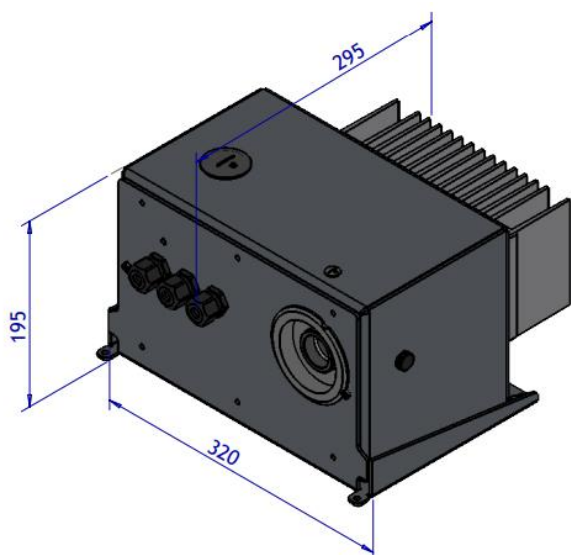


High-Performance Light Generator with Advanced Colour & Twinkle Wheel Effects for Fiber Optic Lighting

The FL 1300 XT series is a high-performance light generator engineered for outdoor environments. Designed for compatibility with PMMA and glass fiber optic lighting, it provides precise and reliable illumination for a wide range of applications. The FL 1300 XT offers smooth dimming functionality with a range of control options, including 0/1-10V, PWM, DMX, DALI/DALI-2, D4i, Casambi, and Potentiometer, ensuring enhanced flexibility and seamless control.

This advanced light generator ensures flicker-free performance and a high Colour Rendering Index (CRI), providing superior light quality and stability for optimal visual comfort. It is available in various colour temperatures, including Warm, Neutral, Cool White, Tunable White, and RGBW, with custom configurations available upon request to accommodate specific project requirements. The FL 1300 XT offers options with a controllable 6-color and/or twinkle wheel, delivering dynamic and customizable lighting effects for creative interior applications.

With a wall-mounted installation, the FL 1300 XT Series offers a versatile and energy-efficient solution for demanding lighting projects, making it the perfect choice for professional environments.



KEY FEATURES

- Designed for outdoor applications
- Compatible with PMMA and glass fiber optic lighting
- High performance with an enhanced lumen output
- Offers a controllable 6-color wheel and/or twinkle wheel, delivering dynamic and customizable lighting effects
- Smooth dimming with multiple dimming options available
- Flicker-free operation with a High Colour Rendering Index (CRI)
- Wall-mounted installation
- Available Glass Colour Correction Filters
- Available in options including Warm, Neutral, Cool White, Tunable White, and RGBW



TECHNICAL SPECIFICATION

Specification	White	Tunable White	RGBW
Port Connector Size	Ø28 mm ⁽¹⁾		
Fibre Type	PMMA / Glass		
Material	Black Hard Anodized Aluminium		
Mains Supply Voltage	120-277V / 50-60Hz		
Total Power Consumption	80-90 W		
LED Power Consumption	75 W	Up to 75 W ⁽²⁾	
LED Lifetime	> 60,000 hours (L80)	≥ 50,000 hours (L70)	
LED Driver Lifetime	> 100,000hours (80% load Tc 70°C)	≥ 100,000 hours (@ Tc 60°C at 100% load)	
Dimmer System	(0/1-10V, DMX, DALI/DALI-2, D4i, PWM, and Casambi upon request)	DMX (Casambi available upon request)	
Thermal Protection	Automatic resettable ⁽³⁾	NTC Thermistor ⁽⁴⁾	
Protection Rating	IP65		
Cooling System	Natural Convection		
Ambient Temperature	-10°C to 40°C		
Applied LED	Nichia	Special Design	
CCT (Nominal)	3000K/4000K (Others on request)	2500K - 5700K	RGBW (White 4000K)
CRI (Ra) Typical Value	≥ 93	> 95	> 90
Weight	6 kg		

1) The port connector size has an inner diameter of 28 mm to accommodate the raw fiber and an overall outer diameter of 30 mm.

2) The RGBW model supports up to two channels at 100% intensity or four channels at 50%. The heatsink is rated for 75W.

3) Shuts off during overheating and automatically restarts once cooled to a safe temperature.

4) An NTC thermistor on the LED COB reduces the output by 75% if temperatures exceed the threshold, resetting automatically once safe levels are reached.

CONTACT US

Phone: +45 9244 4888

Email: info@rob-light.com

OUR OFFICE

RobLight A/S

Gl. Skagensvej 105 H

DK-9900 Frederikshavn

STAY CONNECTED

Website: www.rob-light.com

LinkedIn: [RobLight A/S](https://www.linkedin.com/company/rob-light)

RobLight

RobLight disclaims any responsibility for potential errors in catalogues, brochures, and other printed materials. RobLight reserve the right to modify or discontinue our products without prior notice. © 2019 RobLight A/S