

PRODUCT DATA SHEET

FL 1300 XT268S

RobLight

99102183
20-01-2025
Rev. 3

PRODUCT INFO

Model	Item No.
3000K	01410058
4000K	01410068
Tunable White DMX	01410849
RGBW DMX	01410888
Accessory	
DMX Controller	01600302
Casambi Controller	80000031

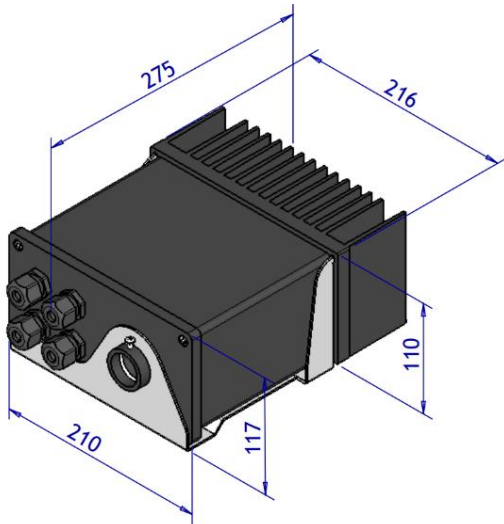


High-Performance, Waterproof Lighting Solution for Outdoor and Fiber Optic Applications

The FL 1300 XT268S is a high-performance, IP68-rated light generator designed for demanding outdoor and flood-prone environments. Compatible with PMMA and glass fibre optic lighting, it delivers flicker-free illumination with a high Colour Rendering Index (CRI) for superior light quality and long-term reliability.

The FL 1300 XT268S provides a wide range of dimming control options, supporting 0/1-10V, PWM, DMX, DALI/DALI-2, D4i, Casambi, and Potentiometer-based control systems, ensuring seamless integration into diverse lighting configurations. It is available in multiple colour temperatures, including Warm, Neutral, Cool White, Tunable White, and RGBW, with custom configurations available upon request to accommodate specific project requirements.

Designed for wall-mounted installation, the FL 1300 XT268S supports up to 30 meters of cable and remote driver connection. Withstanding water pressure up to 10 meters, ensures durability, making it ideal for professional applications requiring high-quality, adaptable lighting.



KEY FEATURES

- Designed for outdoor applications
- Compatible with fiber optic lighting systems
- Smooth dimming with multiple dimming options available
- Flicker-free operation with High Colour Rendering Index (CRI)
- Wall-Mounted Installation
- IP68 (available upon request for up to 10 meters of water pressure)
- Remote driver with a range of up to 30 meters
- Available in options including Warm, Neutral, Cool White, Tunable White, and RGBW



TECHNICAL SPECIFICATION

Specification	White	Tunable White	RGBW
Port Connector Size	Ø28 mm ⁽¹⁾		
Fibre Type	PMMA / Glass		
Material	Black Hard Anodized Aluminium		
Mains Supply Voltage	120-277V / 50-60Hz		
Total Power Consumption	80 W		
LED Power Consumption	75 W	Up to 75 W ⁽²⁾	
LED Lifetime	> 60,000 hours (L80)	≥ 50,000 hours (L70)	
LED Driver Lifetime	> 100,000hours (80% load Tc 70°C)	≥ 100,000 hours (@ Tc 65°C)	
Dimmer System	0/1-10V (DMX, DALI/DALI-2, D4i, PWM, and Casambi upon request)	DMX (DALI and Casambi available upon request)	
Thermal Protection	Automatic resettable ⁽³⁾	NTC Thermistor ⁽⁴⁾	
Protection Rating	IP68 (External LED Driver rated IP67 / IP66) ⁽⁵⁾		
Cooling System	Natural Convection		
Ambient Temperature	-10°C to 45°C		
Applied LED	Nichia	Special Design	
CCT (Nominal)	3000K/4000K (Others on request)	2500K - 5700K	RGBW (White 4000K)
CRI (Ra) Typical Value	≥ 93	> 95	> 90
Weight	6 kg		

1) The port connector size has an inner diameter of 28 mm to accommodate the raw fiber and an overall outer diameter of 30 mm.

2) The RGBW model supports up to two channels at 100% intensity or four channels at 50%. The heatsink is rated for 75W.

3) Shuts off during overheating and automatically restarts once cooled to a safe temperature.

4) An NTC thermistor on the LED COB reduces the output by 75% if temperatures exceed the threshold, resetting automatically once safe levels are reached.

5) The external LED driver is rated IP66 for the Tunable White and RGBW models, and IP67 for the White light model.

CONTACT US

Phone: +45 9244 4888

Email: info@rob-light.com

OUR OFFICE

RobLight A/S

Gl. Skagensvej 105 H

DK-9900 Frederikshavn

STAY CONNECTED

Website: www.rob-light.com

LinkedIn: [RobLight A/S](https://www.linkedin.com/company/rob-light)

RobLight

RobLight disclaims any responsibility for potential errors in catalogues, brochures, and other printed materials. RobLight reserve the right to modify or discontinue our products without prior notice. © 2019 RobLight A/S