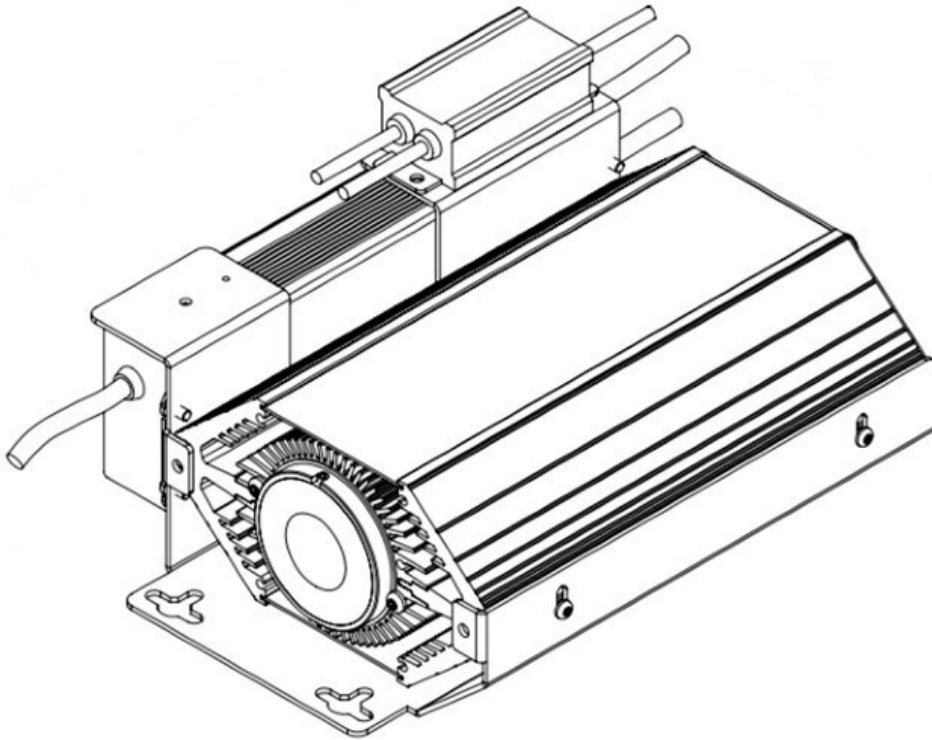


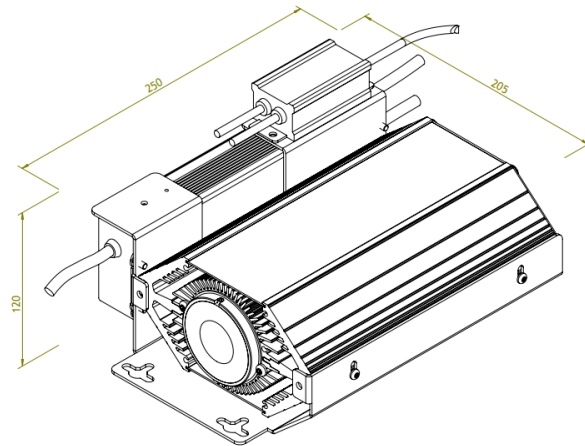
FL 1500 C DMX



Light generator designed for end lights and sidelight fibres where dimmable effect is required. Typical fields of application: interior as well as exterior lighting, big starry sky ceilings, works of art, entrances, big rooms, lobbies, canopies, fountains, swimming pools, indication lights and façade lighting. FL 1500 DMX C Dimmable features a DMX controlled very smooth dimming. Additional features are instant-on and hot restrike. Colour wheel and twinkle wheel versions as well as dual wheel versions with colour and twinkle wheels are also available. All versions are available in an outdoor series.

FL 1500 C DMX

- Instant-on
- No cool-down time
- For indoor use / dry locations
- Warm white light and neutral white light
- Smooth dimming with choice of several dimming options
- DMX dual models include colour and twinkle wheels
- DMX models with colour wheel available
- DMX models with twinkle wheel available
- Black painted finish
- High colour rendering
- Dichroic glass colour filters available
- Dichroic CTC filters available
- No more regular lamp changes



PI 20

5.5 kg

FL 1500 C DMX



Light port	Ø28 mm
Fibre type	PMMA or glass
Material	Aluminium, plastic and other
Total power consumption	115W
LED power consumption	100W
LED lifetime, expected	35.000h
Driver lifetime, expected	>100.000h (@TC=65 °C)
Supply voltage (mains)	100-240V 50/60Hz
Dimmer systems applicable	DMX
Thermal protection	Integarted auto
Cooling system	Axial fan
Cooling system lifetime, expected (@40 °C)	>40.000h
Noise level (fan)	30dB
Ambient temperature	-10 °C to 45 °C
Applied LED	Nichia
CCT (nominal)	3000K / 4000K (5000K on req.)
CRI _s (Ra) typical value	92 (min. 90)

Item no.

FL 1500 C DMX DIM 3000K CRI 90+	0130 0858
FL 1500 C DMX DIM 4000K CRI 90+	0130 0868