

## FL 1750 B-2

---

---



Have you ever dreamt about having a lighting solution which could make your interior stand out? The FL 1750 Series is a sublime lighting solution that can truly reshape the look of your interior.

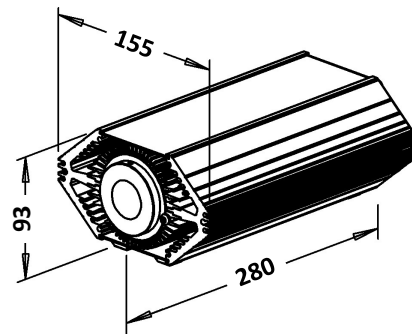
The range is highly powerful, distributing more light throughout the polyconnector than ever before. It is part of our LED light generators which constitute the first real replacements instead of the 250W MH. It endures a drastically longer lamp life, meaning no more regular lamp changes and less power consumption. The generators provide instant-on and require no cool-down time.

The FL 1750 Series features warm white and neutral white light solutions plus it boasts smooth dimming with choice of several dimming options. The range has models which include colour wheel and twinkle wheel, enabling different scenarios for your indoor settings. The dimming, colour and twinkle wheels can be controlled by various control systems, DMX etc.

Are your facade illuminations, large displays and art installations in need of a revival? Our FL 1750 Series will transform your interior and bring it back to life.

## FL 1750 B-2

- Instant - on
- No cool-down time
- For indoor use / dry locations
- Outdoor models available
- LED expected lifetime 20.000 hours
- Warm white light 3000K and neutral white light 4000K
- Smooth dimming with choice of several dimming options
- External electronic driver
- Dimmable versions available
- DMX module available
- Black finish
- Dichroic glass colour filters available
- Dichroic CTC filters available
- Light port: Ø28 mm
- Pot models include potmeter
- No more regular lamp changes



IP 20

5.5 kg

## FL 1750 B-2



Light port	Ø28 mm
Fibre type	PMMA or glass
Material	Aluminium, plastic and other
Total power consumption	150W
LED power consumption	135W
LED lifetime, expected	35.000h
Driver lifetime, expected	>100.000h (@TC= 65°C)
Supply voltage (mains)	100-240V 50/60Hz
Dimmer systems applicable	DALI, Pot
Thermal protection	Automatic resettable
Cooling system	Axial fan
Cooling system lifetime, expected (@40°C)	>40.000h
Noise level (fan)	30 dB
Ambient temperature	-10°C to 30°C
Applied LED	Nichia
CCT (nominal)	3000K / 4000K / 5000K / 3 SDMC
CRI <sub>s</sub> (Ra) typical value	92 (min. 90) / 82 (min. 80)

	Item no.
FL 1750 B-2 3000K CRI 90+	0134 0058
FL 1750 B-2 4000K CRI 90+	0134 0068
FL 1750 B-2 3000K CRI 90+ DALI	0134 0658
FL 1750 B-2 4000K CRI 90+ DALI	0134 0668
FL 1750 B-2 3000K CRI 90+ Pot	0134 0758
FL 1750 B-2 4000K CRI 90+ Pot	0134 0768
FL 1750 B-2 5000K CRI 90+ Pot	0134 0777
FL 1750 B-2 5000K CRI 80+	0134 0077